

ZETA Electrical steam boilers

High reliability of service with low maintenance needs



Z&I
ZANDER & INGSTRÖM

We give our customers security in choice of products and system solutions.

Zander & Ingeström have had for a long time a leading position as supplier of larger and smaller electrical boiler plants for heat and steam production. During the years we have installed thousands of constructions ranging from a few KW to complete plants up to 150 MW.

Design

The electrical steam boiler consists of a welded pressure vessel, supplied with connections for water, steam, security valves, and heating elements. The boiler vessel is insulated with mineral wool and covered with plate. Indicators for operation and monitoring are installed, and connected to the apparatus cabinet.

Function

The heating of the water is done with electrical tube elements made of stainless steel placed in the boiler water tank. The tube elements are electrically connected in groups, which by relays, gradually turn the power on or switch it off, thus sustaining the necessary power.

The boiler regulates the power in accordance with the adjusted preset value for the outgoing steam pressure. Replenishment of water is done with a feed pump which is controlled by level guards submerged into the boiler vessel.

The vessel is manufactured and approved in accordance with valid pressure vessel standards and can also be supplied in ASME performance for an additional charge.

Steam power plant:

Zander & Ingeström also offer delivery of feed water tanks, equipment for water treatment, chemical handling and air blower vessels or a complete fully working plant.

Simple installation

Simple to use

Simple to maintain

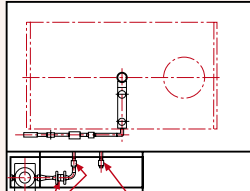
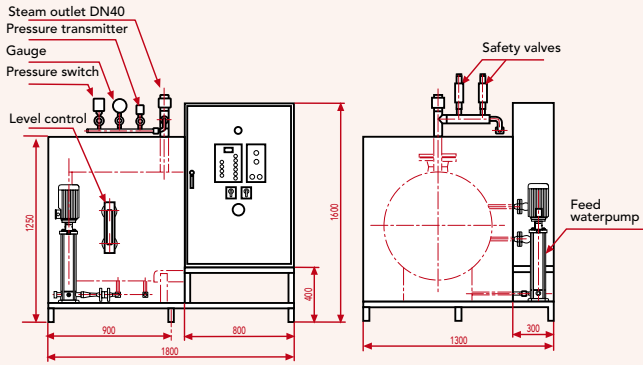
Low noise level

Long working life

High efficiency



Dimensions – ZSB350

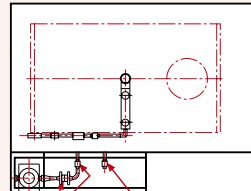
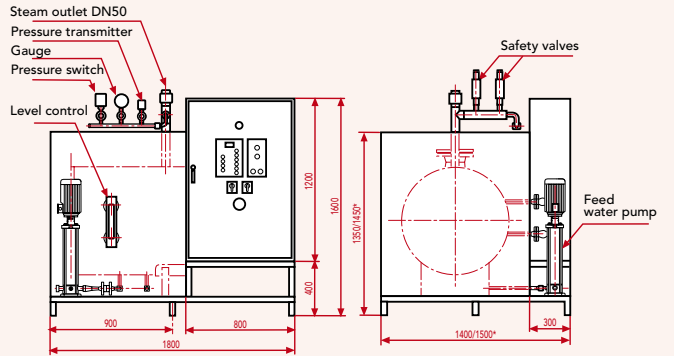


Check valve Feed water valve Blow-down

Electric steam boiler type ZSB350
Power voltage 400/690 V

Design pressure 10 bar
Operating pressure 6-8 bar
Volume 500 l
Weight (empty) 300 kg
Weight in operation 800 kg

Dimensions – ZSB500/ZSB600*

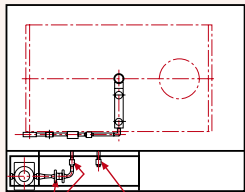
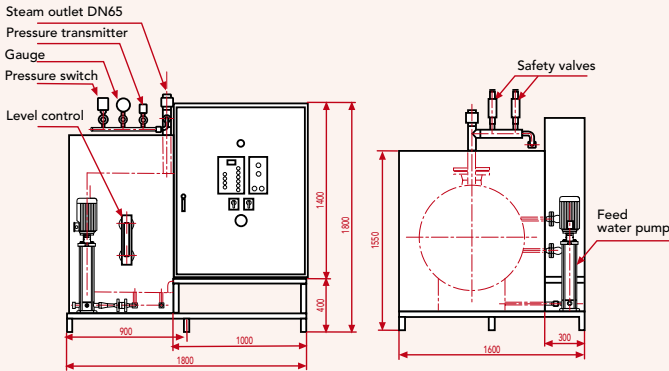


Check valve Feed water valve Blow-down

Electric steam boiler type ZSB500/600*
Power voltage 400/690 V

Design pressure 10 bar
Operating pressure 6-8 bar
Volume 650/825* l
Weight (empty) 450/525* kg
Weight in operation 1100/1350* kg

Dimensions – ZSB800

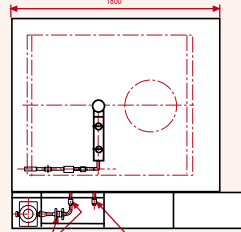
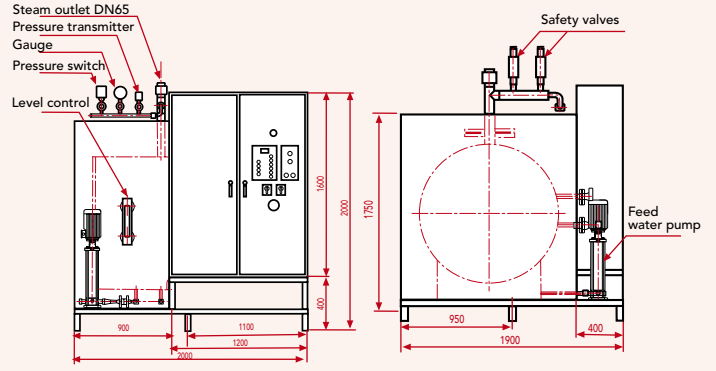


Check valve Feed water valve Blow-down

Electric steam boiler type ZSB800
Power voltage 400/690 V

Design pressure 10 bar
Operating pressure 6-8 bar
Volume 1000 l
Weight (empty) 700 kg
Weight in operation 1700 kg

Dimensions – ZSB1200

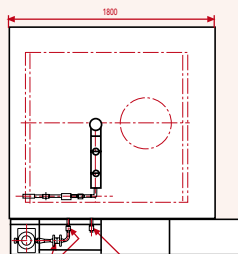
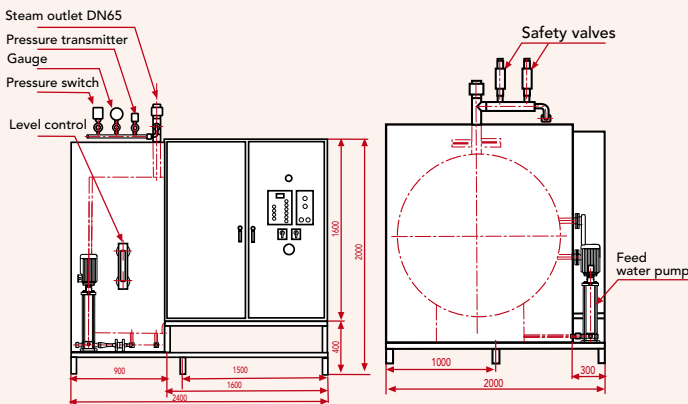


Check valve Feed water valve Blow-down

Electric steam boiler type ZSB1200
Power voltage 400/690 V

Design pressure 10 bar
Operating pressure 6-8 bar
Volume 1450 l
Weight (empty) 1000 kg
Weight in operation 2450 kg

Dimensions – ZSB1500

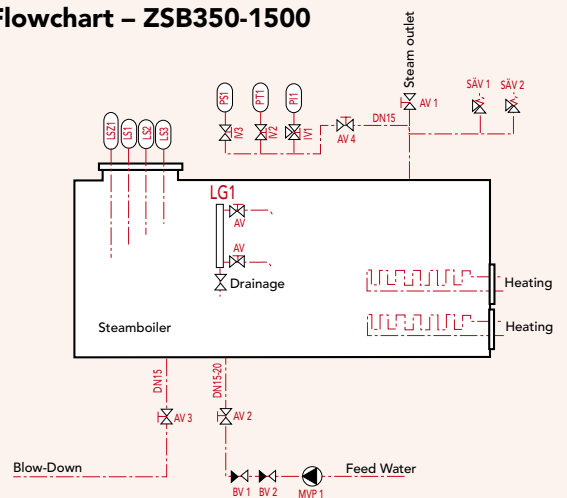


Check valve Feed water valve Blow-down

Electric steam boiler type ZSB1500
Power voltage 400/690 V

Design pressure 10 bar
Operating pressure 6-8 bar
Volume 2000 l
Weight (empty) 1200 kg
Weight in operation 3400 kg

Flowchart – ZSB350-1500



B



We are certified compliance with ISO 9001:2000

Zander & Ingeström continually keeps up with and updates the latest international quality development. Our customers shall rest assured that the products of Z&I are always of the highest quality and secure class. If you have any questions about our products – contact our customer service, +46 (0)8 – 80 90 00 or email us at zander.ingestrom@zeta.se.

We guide you to choose the perfect boiler

Zander & Ingeström AB,
P. O. Box 502, SE-169 29 Solna, Sweden
Phone: +46 8 80 90 00, Fax: +46 8 80 72 06
zander.ingestrom@zeta.se, www.zeta.se

Höyrytys Oy

P.O. Box 16 (Palokorvenkatu 2)
FI-04261 Kerava, Finland
Tel. +358 10 417 4600
Fax +358 10 417 4601
hoyrytys@hoyrytys.fi • www.steampro.fi



Höyrytys Oy

Z&I
ZANDER & INGESTRÖM